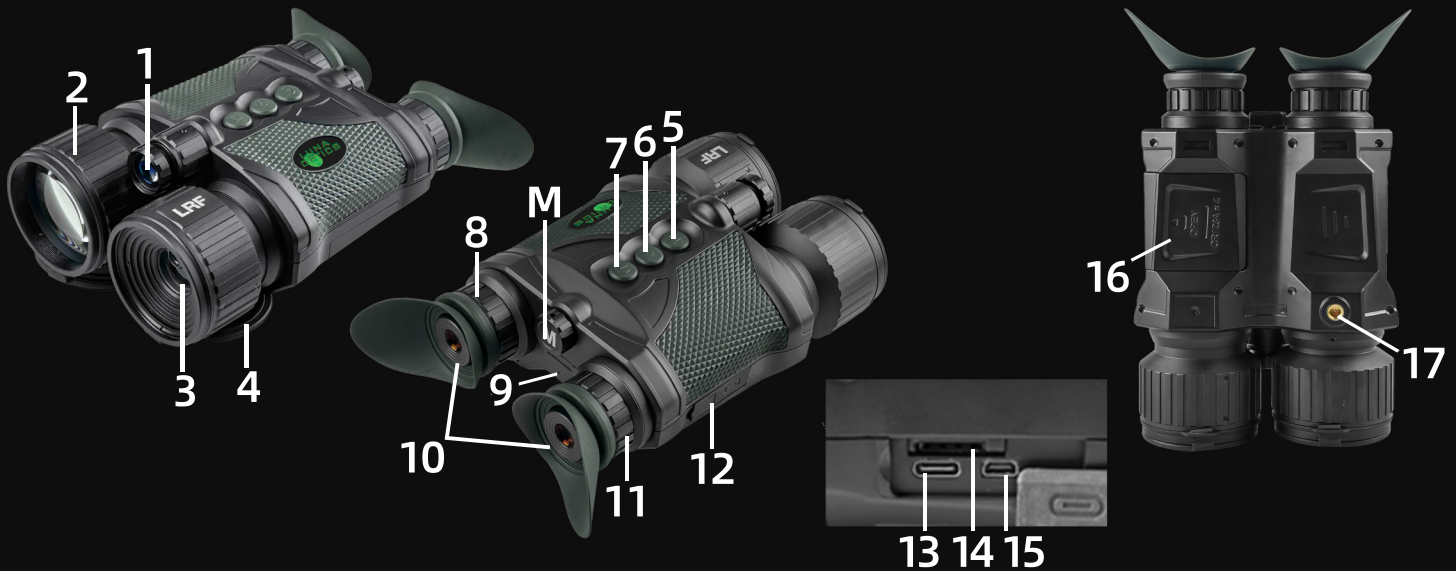




LN-QD-B50-PRO PARTS GLOSSARY



1	Main Infrared Light (850nm)
2	Objective Lens Focusing Wheel
3	Laser Rangefinder
4	Lens Cover
5	Distance Measurement Button
6	Photo Taking / Video Recording Button
7	Power Button / Infrared Adjustment Button
8	Left Eyepiece Adjustment Wheel
9	Power On Indicator
10	Eyepieces / Displays
11	Right Eyepiece Adjustment Wheel
12	Connectivity Area Cover
13	USB-C Input
14	MicrSD Card Slot
15	HDMI Output
16	Battery Compartment Cover
17	1/4" Tripod Connector
M	Menu Controller